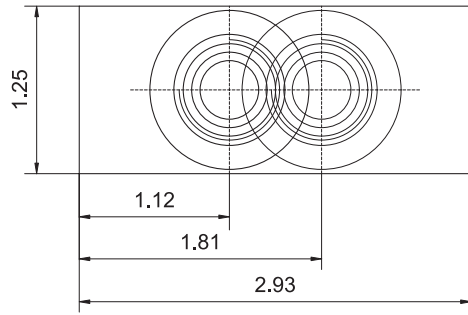
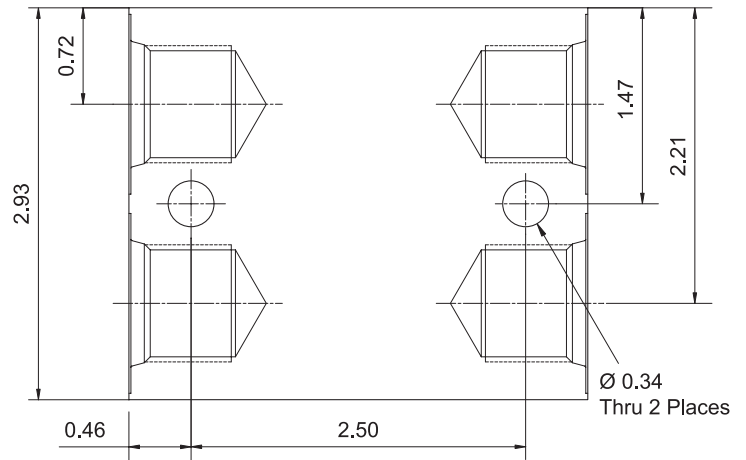
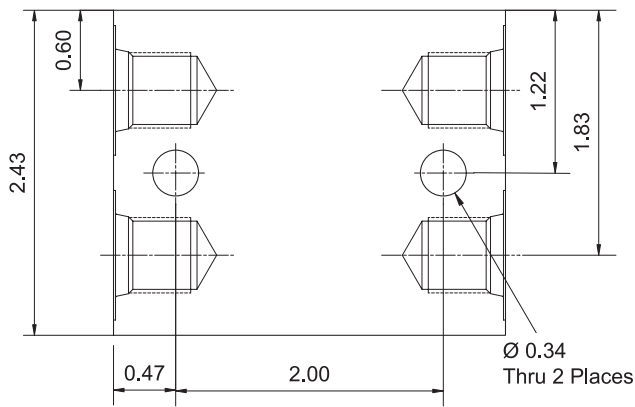
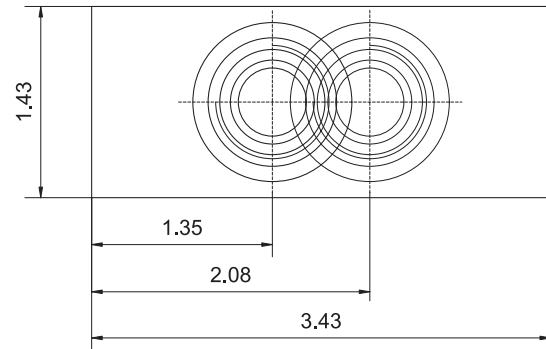


Series 08 2-WAY Cross-Over Housings



Series 10 2-WAY Cross-Over Housings



Unit=Inches

SERIES 08/10 2-WAY CROSS-OVER HOUSINGS			
Part No.	Material	Operating Pressure	Ports
LB08-2CO-A-6T	Aluminum,6061-T6	210 bar (3000 psi)	SAE 6
LB10-2CO-A-10T	Aluminum,6061-T6	210 bar (3000 psi)	SAE 10

K