

节流孔片 — 最大5000 PSID
Orifice Discs — 5000 PSID Max.

节流孔片型号* Orifice Disc Part No.	孔片直径 (最大) Disc Dia. (Max.)	先导钻孔直径 (最大) Pilot Drill Dia. (Max.)	节流孔直径 Drill-Thru Dia.	沉孔直径(Dia) /深度(Dp) Counterbore Dia./ Counterbore Depth
L051** 对于阀孔 For Cavities 08-2 08-4	12.70	11.1	无 None	无 None
			0.4 ~ 1.6	3.2Dia. / 1.88Dp.
			1.7 ~ 2.8	5.6Dia. / 1.27 Dp.
			2.9及更大&Up	无 None
L057** 对于阀孔 For Cavity 08-3	14.27	12.7	无 None	无 None
			0.4 ~ 1.6	3.2Dia. / 1.88Dp.
			1.7 ~ 2.8	5.6Dia. / 1.27 Dp.
			2.9及更大&Up	无 None
L063** 对于阀孔 For Cavities 10-2 10-3 10-4	15.87	14.3	无 None	无 None
			0.4 ~ 1.6	3.2Dia. / 1.88Dp.
			1.7 ~ 2.8	5.6Dia. / 1.27 Dp.
			2.9及更大&Up	无 None
L087** 对于阀孔 For Cavities 12-2 12-3	22.15	19.8	无 None	无 None
			0.4	3.2Dia. / 2.13 Dp.
			0.5 ~ 1.6	3.2Dia. / 2.13 Dp.
			1.7 ~ 2.8	5.6Dia. / 1.52Dp.
L081** 对于阀孔 For Cavity 12-4	20.57	18.2	无 None	无 None
			0.4	3.2Dia. / 2.13 Dp.
			0.5 ~ 1.6	3.2Dia. / 2.13 Dp.
			1.7 ~ 2.8	5.6Dia. / 1.52Dp.
2.9及更大&Up	无 None			

*最后二位取决于节流孔直径。
Last 2 digits determined by drill-thru diameter.

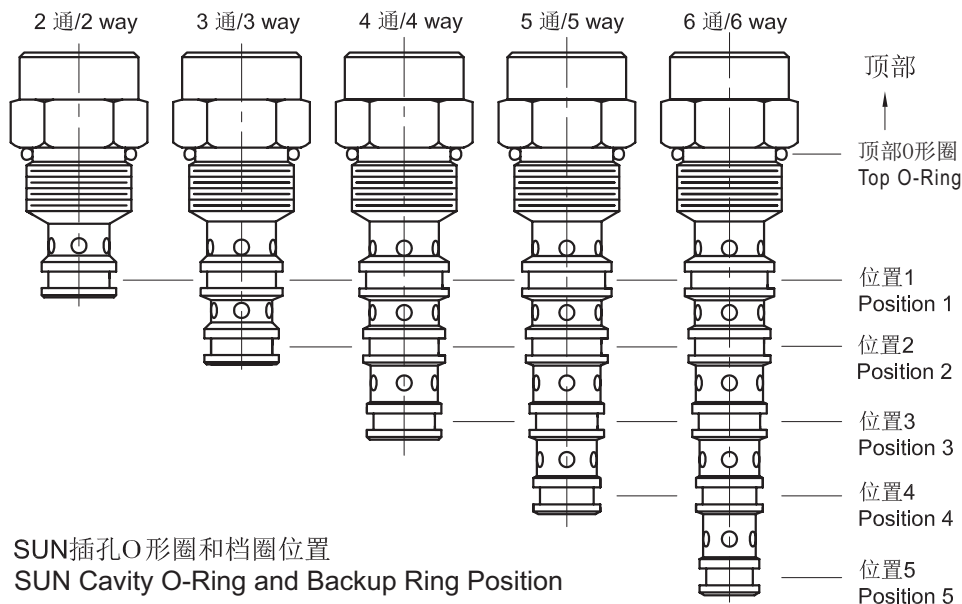
所有尺寸均以毫米为单位。
All dimensions shown in millimeters.

K

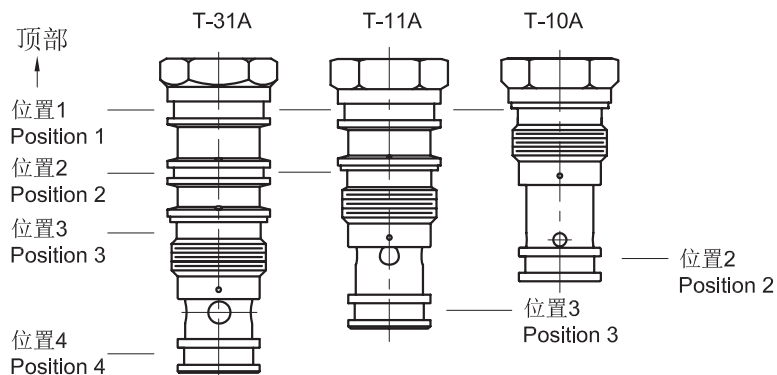
密封包

密封包安装与订购 Seal Kits Installation and Ordering

O形圈和档圈位置/O-Ring and Backup Ring Position

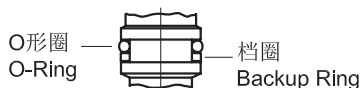


SUN插孔O形圈和档圈位置 SUN Cavity O-Ring and Backup Ring Position

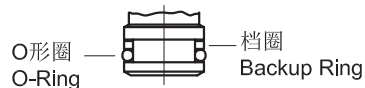


O形圈和档圈安装 O-Ring and Backup Ring Installation

安装类型T(O形圈安装朝向阀孔顶部)
Installation Type T(O-Ring installed toward top of cavity)



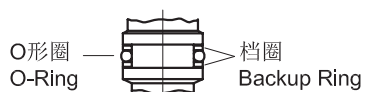
安装类型B(O形圈安装朝向阀孔底部)
Installation Type B(O-Ring installed toward bottom of cavity)



安装类型X(此处无密封件)
Installation Type X
(No seals this location)



安装类型M(O形圈安装在档圈之间)
Installation Type M(O-Ring installed between backups)



安装类型O(只有O形圈,无档圈)
Installation Type O
(O-Ring installed only, no back-ups)

