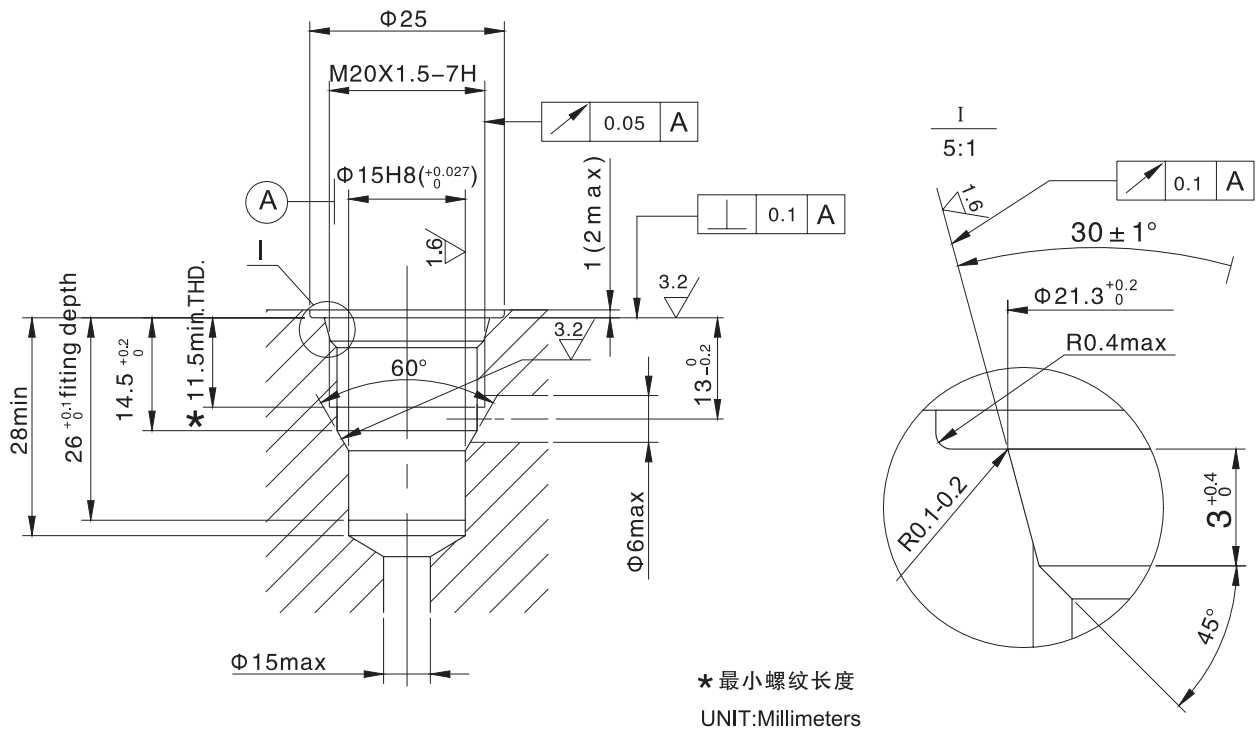


CAVITY:08W-2



CAVITY:HYDAC 06020