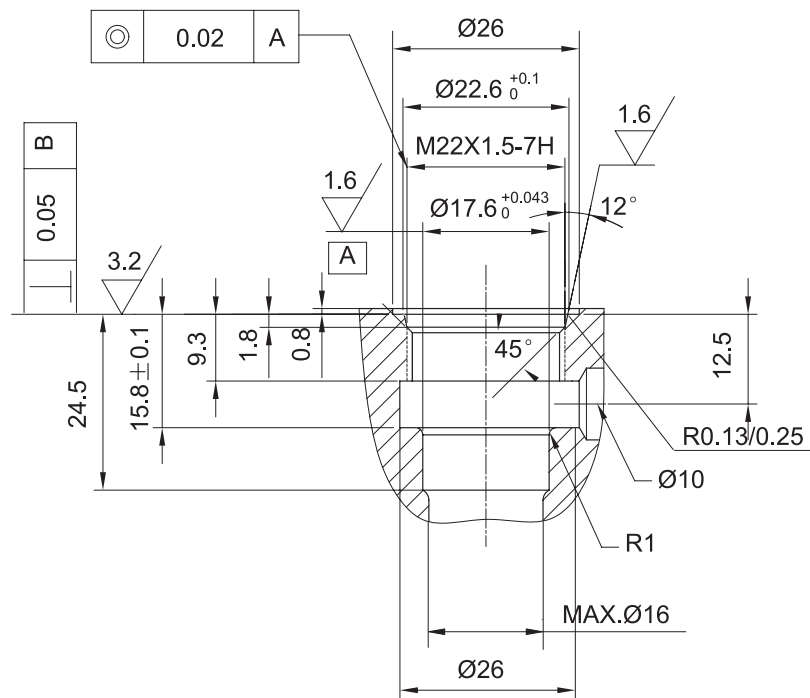


UNIT:Millimeters

CAVITY:08G-2



UNIT:Millimeters

CAVITY: 10M-2