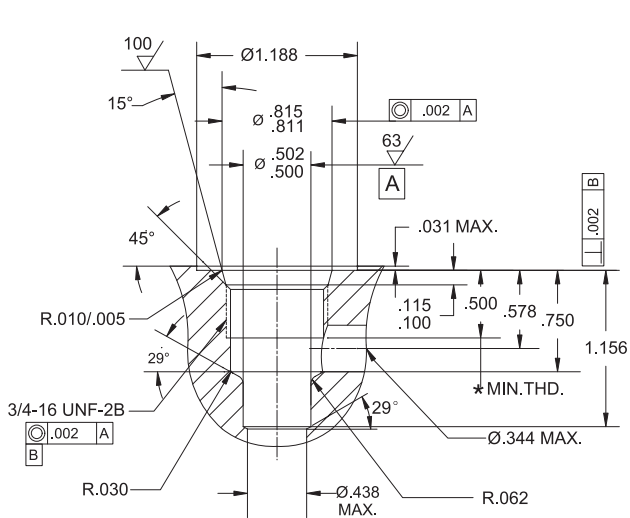
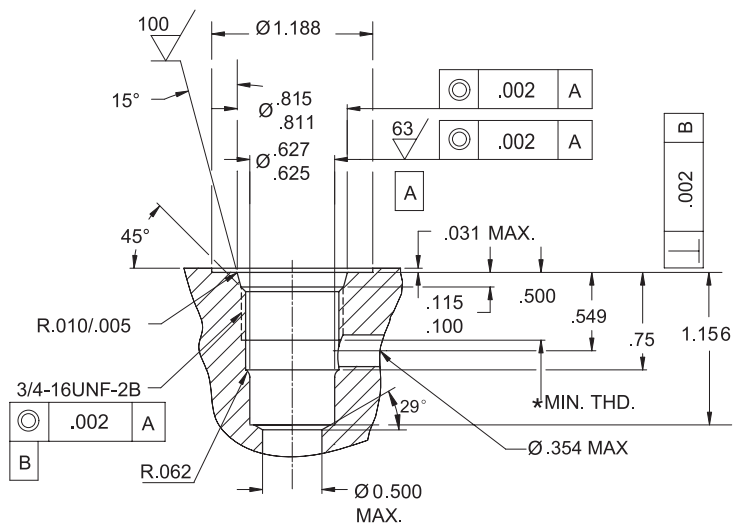


插孔 CAVITY



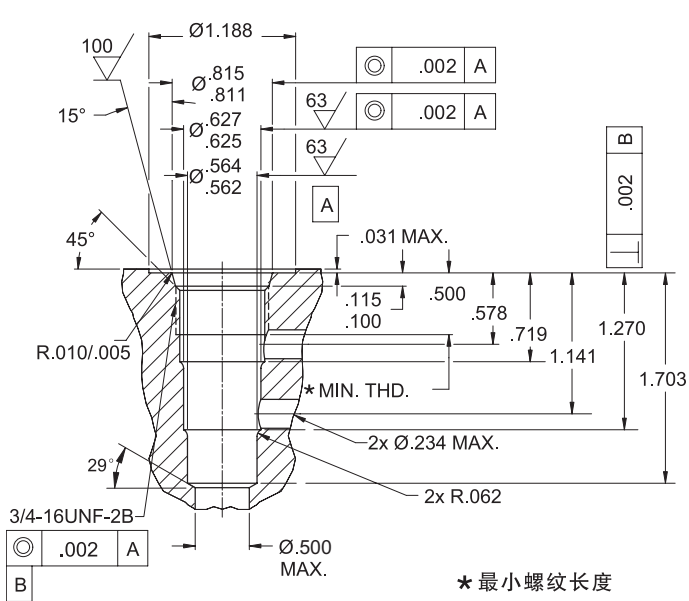
★ 最小螺纹长度
Unit: Inch

CAVITY:08-2



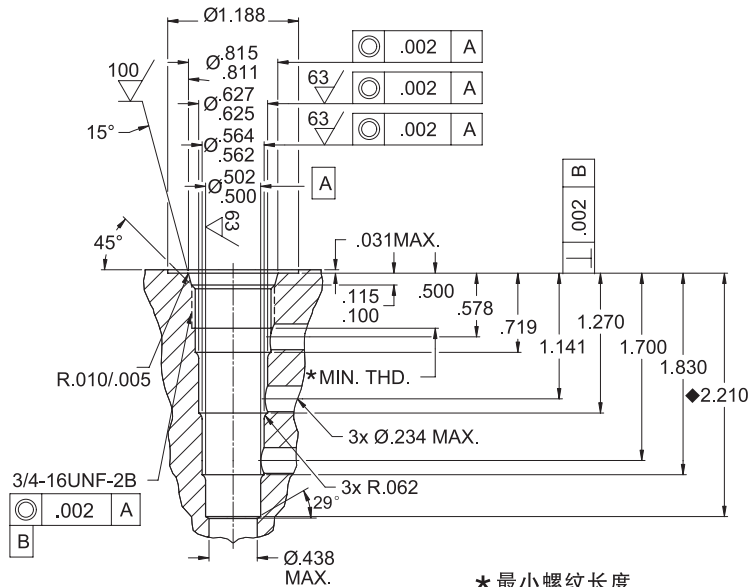
★ 最小螺纹长度
Unit: Inch

CAVITY: 08S-2



★ 最小螺纹长度
Unit: Inch

※ CAVITY: 08-3



★ 最小螺纹长度
Unit: Inch

CAVITY: 08-4

※ 此阀孔用于安装下列阀(LSV2-08-3B,LMP-08-3B-L)及节流片时需先导钻孔 $\phi 0.500$ 英寸,深最小1.81英寸;
If cavity is to fit following valves (LSV2-08-3B,LMP-08-3B-L), or orifice, pilot drill $\phi 0.500$ is required with min. depth of 1.81 from spotface.

◆ 此阀孔用于安装LSPC-08-4,LDPC-08时,“◆”处尺寸最小为56毫米(2.2inch);
If cavity is to fit valves LSPC-08-4 or LDPC-08, $\phi 0.500/0.502$ is required with minimum depth of 2.2 inch(56mm) from spotface.