

# LTR04-B20

## 热油溢流阀

专利号 :201420702734.X

### 说明 DESCRIPTION

A in-line direct-acting poppet-type thermal relief valve  
直动内嵌、座阀式安全阀

### 工作 OPERATION

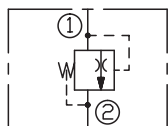
The thermal relief valve intended to prevent cylinder damage resulting from temperature induced pressure intensification. This valve is not intended to be used as a dynamic relief valve, or as protection against load-induced pressure spikes.

The valve blocks flow from ① to ② until sufficient pressure is present at ① to force the poppet from its seat. Pressure at port ② should not ,at any time ,be more than 35 bar above the pressure at port ①.

热油溢流阀用于防止油缸因温度变化导致的压力增高而受到损坏；既不能用作动态溢流阀也不用来防止负载导致的压力峰值。

当①口的压力达到设定值，①口到②口打开。在任何时候，②口处的压力都不能超过①口处压力35bar。

### SYMBOL



### 技术参数 SPECIFICATIONS

最大工作压力(Max.Operating Pressure): 410bar

内泄漏(Internal Leakage): 1 drops/min(滴/分). to 90% of crack setting 到90%开启压力1滴/分钟

闭合特性(Reset Characteristic): 10drops/min. at 85% of pressure setting 在85%设定压力下10滴/分钟

弹簧调压范围(Standard Spring Ranges): 240 to 260 bar; 276 to 286 bar  
359 to 369 bar; 414 to 424 bar

流量(Flow): 1.0L/min

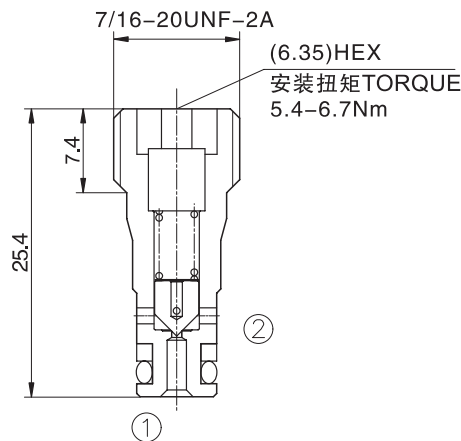
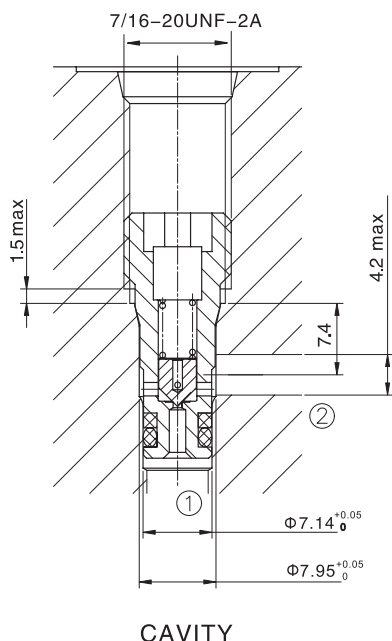
温度(Temperature): -40°F to +250°F(-40°C to +120°C)

过滤(Filtration): See page (参见) N-1

油液(Fluids): Mineral-based fluids with viscosities of 7.4 to 420 cSt.(矿物油粘度)

插孔(Cavity): 04-B2, See page M-24

阀块材料(Body Material): Steel & Ductile iron rated to 350bar 钢和球铁允许使用最大压力350bar



### 订货代号 TO ORDER

**LTR 04-B20 - \* \***

1

2

3

1 功能  
LTR= 热油溢流阀  
Thermal Relief Valve

2 规格 Size  
04-B20=04-B20 规格

3 弹簧调压范围 Spring Ranges  
35=3500-3800psi(240-260bar)  
40=4000-4150psi(276-286bar)  
52=5200-5350psi(359-369bar)  
60=6000-6150psi(414-424bar)