

# LSV-M20-2 NCSP-L

二位三通电磁阀 双向止回型

## 说明 DESCRIPTION

A solenoid operated, 2-way, 2-position, normally closed, poppet-type bi-directional cartridge valve.

二位，三通，常闭型座阀式电磁阀

## 工作 OPERATION

When de-energized, the valve blocks flow in both directions. When energized, the poppet shifts to allow flow in both directions.

失电时，此阀截止油液双向流动；

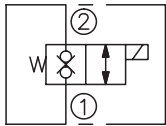
得电时，②到①，①到②互通。

## 手控应急 Operation of Manual Override Option

To override, push button in to activate. To return to normal valve function, release button.

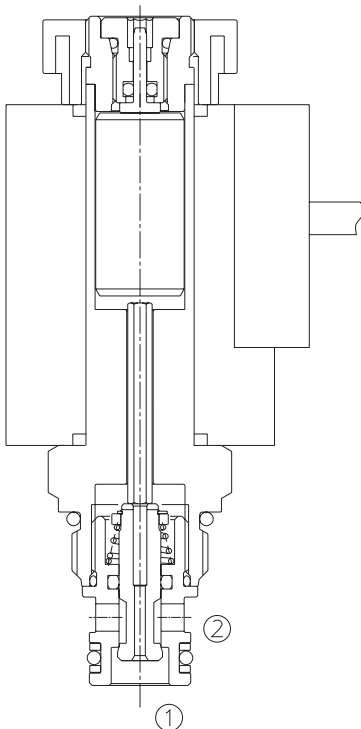
请用工具按下并按住按钮，②到①，①到②互通；松开按钮，返回常态。

## SYMBOL

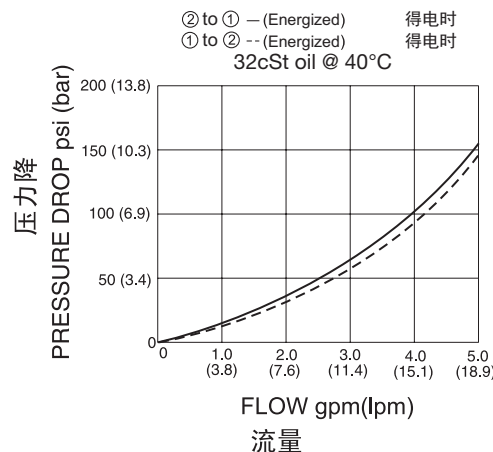


## 技术参数 SPECIFICATIONS

工作压力(Operating Pressure):	250bar
流量(Flow):	See PRESSURE DROP VS.FLOW graph.
内泄漏(Internal Leakage):	<1 drops/min.(滴/分)Our ideal leakage: <0.05 drops/min
温度(Temperature):	-40°F to +212°F(-40°C to +100°C)
线圈额定负载(Coil Duty Rating):	Continuous from 85% to 115% of nominal voltage(连续工作电压)
过滤(Filtration):	See page (参见) N-1*
油液(Fluids):	Mineral-based fluids with viscosities of 7.4 to 420 cSt.(矿物油粘度)
插孔(Cavity):	HYDAC 06020,See page M-26
阀块材料(Body Material):	6061-T6 aluminum alloy rated to 207bar, Steel & Ductile iron rated to 350bar 6061-T6铝,允许使用最大压力207bar 钢和球铁允许使用最大压力350bar



## 压力 - 流量曲线 PRESSURE DROP VS.FLOW



订货代号 TO ORDER

**LSV – M20 – 2 NC SP – L \* – \* \* – \* \***  

1
2
3
4
5
6
7
8
9
10

<p><b>1</b> 功能 LSV= 电磁阀 Solenoid Valve</p>	<p><b>7</b> 手控应急 空白 Blank= 无手控应急 None M= 手控应急 Manual Override</p>	<p><b>10</b> 阀块油口 Body Porting 空白 Blank= 不带阀块 None 4T=SAE 4 6T=SAE 6 2G=G 1/4 3G=G 3/8</p>
<p><b>2</b> 规格 Size M20=M20 规格</p>	<p><b>8</b> 电压 Voltage 1=12 VDC 2=24 VDC 3=110 VAC 4=220 VAC 7=48 VDC 8=24 VAC 9=72 VDC</p>	<p>其它螺纹油口也是可选择的 Other Porting Is Available</p>
<p><b>3</b> 流道类型 Flow Path 2= 二通</p>	<p><b>9</b> 线圈连接 Coil Connection D= Double Lead 双线 S= Single Lead 单线 H= Hirschmann 三插 ER= Deutsch Connector(Water-proof Coil) 德意志插座(防水线圈) B= Double Spade 双插</p>	
<p><b>4</b> 模式 NC= 常闭 Normally Closed</p>		
<p><b>5</b> 类型 SP= 锥阀型 Poppet</p>		
<p><b>6</b> 泄漏 L= 零泄漏 Zero Leakage</p>		

**安装尺寸 INSTALLATION DIMENSIONS**

Coil Must Be Installed With Letter Up  
安装线圈时，字母必须朝上。

Unit=Millimeters

