

LSV6-08-2 RNORP

二位三通电磁阀 常开型

说明 DESCRIPTION

A solenoid operated, 2-way, 2-position, normally open, poppet-type cartridge valve with reverse flow de-energized.

二位，三通，常开型座阀式电磁阀

工作 OPERATION

When de-energized, the poppet lifts to open flow from ① to ② ; Flow is also open from ② to ① .

When energized ,the cartridge acts as a check valve, allowing flow from ② to ① , while blocking flow from ① to ② , after overcoming the solenoid force.

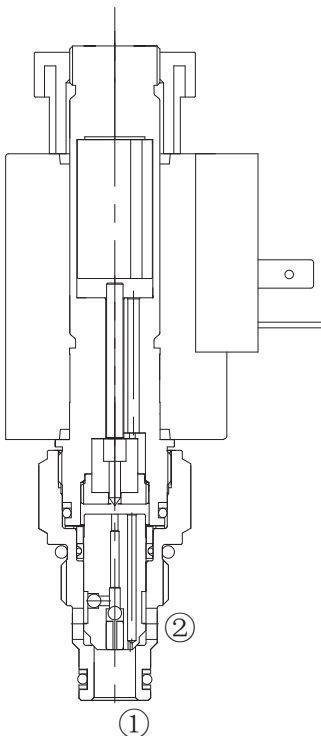
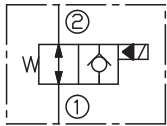
失电时，①到②互通；

得电时，①到②关闭，当②口压力超过电磁铁力，②到①方向通。

手控应急 Operation of Manual Override Option

To override, push button in to activate. To return to normal valve function, release button. 请用工具按下并按住按钮，①到②关闭；松开按钮，返回常态。

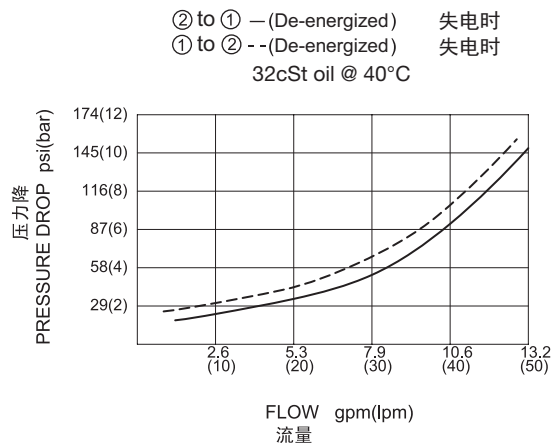
SYMBOL



技术参数 SPECIFICATIONS

工作压力 (Operating Pressure):	350bar
流量 (Flow):	See PRESSURE DROP VS.FLOW graph.
内泄漏 (Internal Leakage):	3drops/min.(滴/分) max. at 350bar
温度 (Temperature):	-40°F to +212°F(-40°C to +100°C)
线圈额定负载 (Coil Duty Rating):	Continuous from 85% to 115% of nominal voltage(连续工作电压)
过滤 (Filtration):	See Page (参见) N-1
油液 (Fluids):	Mineral-based fluids with viscosities of 7.4 to 420 cSt.(矿物油粘度)
插孔 (Cavity):	08-2,See page M-1
阀块材料 (Body Material):	6061-T6 aluminum alloy rated at 207Bar, Steel & Ductile iron rated at 350Bar 6061-T6铝,允许使用最大压力207Bar 钢和球铁允许使用最大压力350Bar

压力 - 流量曲线 PRESSURE DROP VS.FLOW



订货代号 TO ORDER

LSV6 - 08 - 2 RNOR P - * - * * - * *

┌
┌
┌
┌
┌
┌
┌
┌
┌

1

2

3

4

5

6

7

8

9

<p>1 功能 LSV6= 电磁阀 Solenoid Valve</p>	<p>6 手控应急 空白 Blank= 无手控应急 None M= 手控应急 Manual Override</p>	<p>9 阀块油口 Body Porting 空白 Blank= 不带阀块 None 6T=SAE 6 3G=G 3/8</p>
<p>2 规格 Size 08= 08 规格</p>	<p>7 电压 Voltage 1=12 VDC 2=24 VDC 3=110 VAC 4=220 VAC</p>	<p>※ 阀块详见章节 K-1 其它螺纹油口也是可选择的 Other Porting is Available</p>
<p>3 流道类型 Flow Path 2= 二通</p>	<p>8 线圈连接 Coil Connection D= Double Lead 双线 H= Hirschmann 三插 ER= Deutsch Connector(Water-proof Coil) 德意志插座 (防水线圈)</p>	
<p>4 模式 RNOR= 常开, 双向流通 得电单向阀反向 Normally Open, Reverse Flow De-energized, Reverse check Energized</p>		
<p>5 类型 P= 锥阀型 Poppet</p>		

安装尺寸 INSTALLATION DIMENSIONS

Coil Must Be Installed With Letter Up
安装线圈时，字母必须朝上。

Unit=Millimeters

