

# LCVR-08-P

## 反向型单向阀

### 说明 DESCRIPTION

A cartridge-style poppet-type check valve

反向锥阀式螺纹插装单向阀

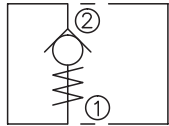
### 工作 OPERATION

When pressure at ② rises above the spring bias pressure, the poppet is pushed from its seat and flow allowed from ② to ① .

The valve is closed (checked) from ① to ②.

当在②口的压力超过开启压力，②到①开启；  
反方向，①到②关闭。

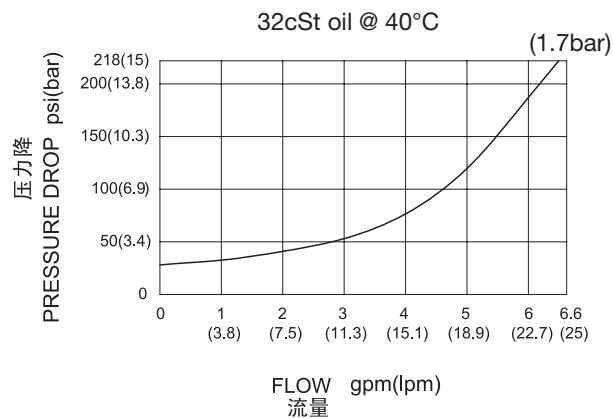
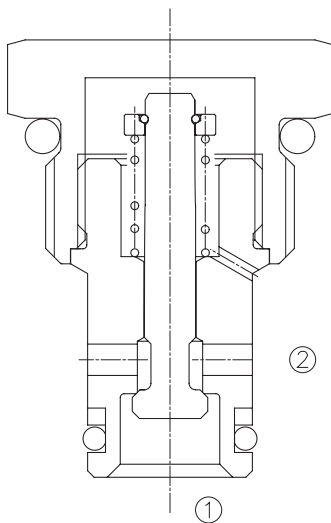
### SYMBOL



### 技术参数 SPECIFICATIONS

工作压力(Operating Pressure):	350bar
流量(Flow):	See PRESSURE DROP VS.FLOW graph.
内泄漏(Internal Leakage):	2 drops/min(滴/分). max. at 350bar
开启压力(Crack Pressures):	0.7=0.7bar 1.4=1.4bar 4.1=4.1bar 5.5=5.5bar 7.6=7.6bar
温度(Temperature):	-40°F to +250°F(-40°C to +120°C)
过滤(Filtration):	See page (参见) N-1
油液(Fluids):	Mineral-based fluids with viscosities of 7.4 to 420 cSt.(矿物油粘度)
插孔(Cavity):	08-2,See page M-1
阀块材料(Body Material):	Steel & Ductile iron rated to 350bar 钢和球铁允许使用最大压力350bar

### 压力 – 流量曲线 PRESSURE DROP VS.FLOW



## 订货代号 TO ORDER

**LCVR - 08 - P - \* \* - \* \***  








1
2
3
4
5

**1** 功能  
LCVR= 单向阀 Check Valve

**2** 规格 **Size**  
08=08 规格

**3** 类型  
P= 锥阀型 Poppet

**4** 开启压力 **Cracking Pressure**  
 0.7=0.7bar  
 1.4=1.4bar  
 4.1=4.1bar  
 5.5=5.5bar  
 7.6=7.6bar

**5** 阀块油口 **Body Porting**  
 空白 Blank= 不带阀块 None  
 4T=SAE4  
 6T=SAE6  
 2G=G 1/4  
 3G=G 3/8

※ 阀块详见章节 K-1  
 其它螺纹油口也是可选择的  
 Other Porting is Available

D

## 安装尺寸 INSTALLATION DIMENSIONS

Unit=Millimeters

