

LCVR2-16

反向型单向阀

说明 DESCRIPTION

A cartridge-style poppet-type check valve

反向锥阀式螺纹插装单向阀

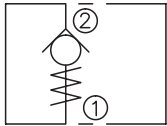
工作 OPERATION

When pressure at ② rises above the spring bias pressure, the poppet is pushed from its seat and flow allowed from ② to ① .

The valve is closed (checked) from ① to ②.

当在②口的压力超过开启压力，②到①开启；
反方向，①到②关闭。

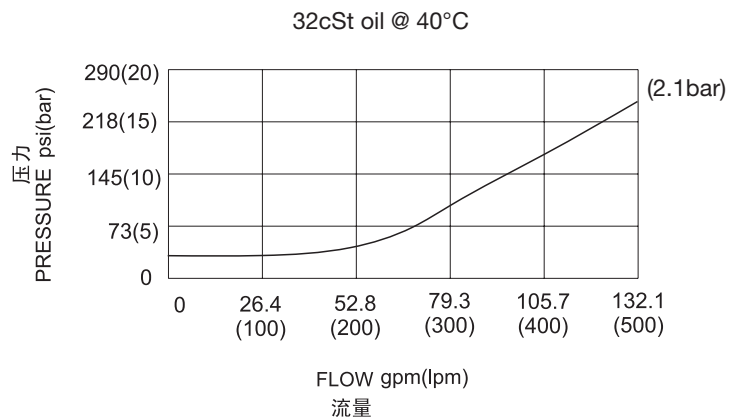
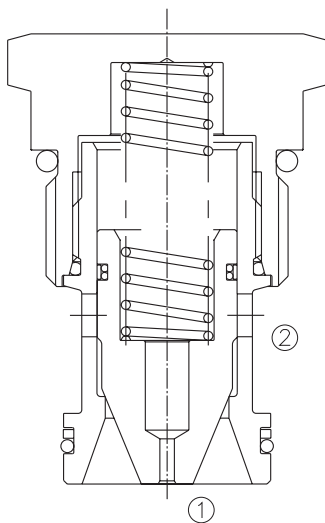
SYMBOL



技术参数 SPECIFICATIONS

| | |
|---------------------------|---|
| 工作压力(Operating Pressure): | 350bar |
| 流量(Flow): | See PRESSURE DROP VS.FLOW graph. |
| 内泄漏(Internal Leakage): | 2 drops/min(滴/分). max. at 350bar |
| 开启压力(Crack Pressures): | 2.1bar |
| 温度(Temperature): | -40°F to +250°F(-40°C to +120°C) |
| 过滤(Filtration): | See page (参见) N-1 |
| 油液(Fluids): | Mineral-based fluids with viscosities of 7.4 to 420 cSt.(矿物油粘度) |
| 插孔(Cavity): | 16-2,See page M-3 |
| 阀块材料(Body Material): | Steel & Ductile iron rated to 350bar 钢和球铁允许使用最大压力350Bar |

压力 – 流量曲线 PRESSURE DROP VS.FLOW



订货代号 TO ORDER

LCVR2 - 16 - * * - * *

┌───┐
1

┌─┐
2

┌──┐
3

┌──┐
4

1 功能
LCVR2= 单向阀 Check Valve

2 规格 **Size**
16=16 规格

3 开启压力 **Cracking Pressure**
2.1=2.1bar

4 阀块油口 **Body Porting**
空白 Blank= 不带阀块 None
16T=SAE16
6G=G 3/4
8G=G 1

※ 阀块详见章节 K-9
其它螺纹油口也是可选择的
Other Porting is Available

D

安装尺寸 INSTALLATION DIMENSIONS

Unit=Millimeters

