

LACR.M18

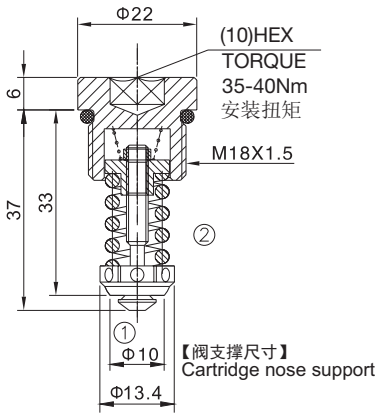
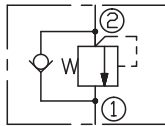
直动式补油溢流阀

说明 DESCRIPTION

A cartridge-style direct-acting poppet-type anti-cavitation relief valve

直动座阀式补油溢流阀

SYMBOL



工作 OPERATION

Flow is free from ① to ② until pressure increases to meet the selected valve setting, allowing relief flow through port ① to tank. This valve combines the typical function of shock relief valve (direct acting) and anticavitation function through the check valve. The direct action and the specific design allow a very fast opening and closing.

Note: to obtain a good leak proof performance coin the cavity seat using a loose valve seat as a coning tool.

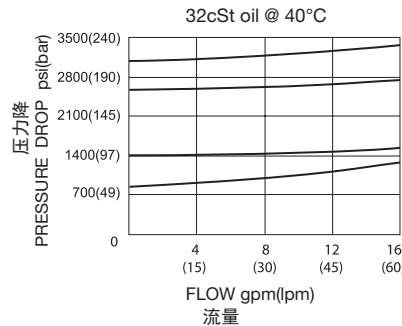
Torque to be applied :4.5 ± 2 Nm.

液体从①口到②口自由流动，直到压力上升到符合所选阀的设置压力，允许通过①口溢流到油箱。结合溢流阀（直动）的典型功能和单向阀的补油功能。直动式和特殊设计使阀芯快速打开和关闭。

注意：为了得到良好的防泄漏性能，使阀座结合活动阀芯作为一个密封副。要运用扭矩：4.5±2Nm 调节，定值设置。

技术参数 SPECIFICATIONS

| | |
|---------------------------------|---|
| 最大工作压力(Max.Operating pressure): | 380bar |
| 弹簧调压范围(Standard Spring Ranges): | 10 to 70 bar; 70 to 120bar; 120 to 200bar; 200 to 270 bar; 270 to 320 bar; 320 to 380 bar; |
| 最大流量(Max. Flow): | 60 l/min. |
| 温度(Temperature): | -40°F to +250°F(-40°C to +120°C) |
| 过滤(Filtration): | See page (参见) N-1 |
| 油液(Fluids): | Mineral-based fluids with viscosities of 7.4 to 420 cSt.(矿物油粘度) |
| 插孔(Cavity): | Rexroth-730, See page M-13 |
| 阀块材料(Body Material): | Steel & Ductile iron rated to 350bar 钢和球铁允许使用最大压力350bar |



订货代号 TO ORDER

LACR.M18 - ** / ***



1 功能
LACR= 补油溢流阀
Anti-Cavitation Relief Valve

2 规格 Size
M18=M18 规格

3 弹簧调压范围 Spring Ranges
05=150 -1000psi(10-70 bar)
10=1000-1750psi(70-120bar)
20=1750-2900psi(120-200bar)
27=2900-3900psi(200-270bar)
32=3900-4700psi(270-320bar)
35=4700-5500psi(320-380bar)

4 设定压力 Setting In Bar
空白 Blank= 预设定 Preset
例 Example:150=150bar
固定设置值 psi(bar) Q=5 L/min