

ILCVR2000-G14

管式单向阀 (反向)



说明 DESCRIPTION

An in-line, poppet-type check valve

内嵌、锥阀式单向阀

工作 OPERATION

When pressure at ① rises above the spring bias pressure, the poppet is lifted and flow allowed from ① to ②.

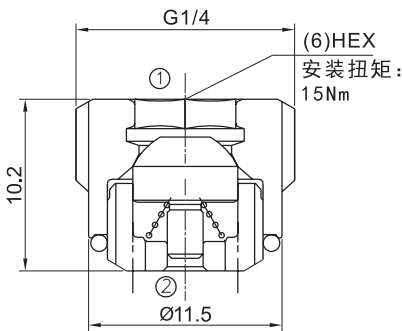
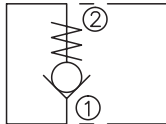
The valve is closed (checked) from ② to ①.

当在①口的压力超过开启压力，①到②开启；
反方向，②到①关闭。

技术参数 SPECIFICATIONS

| | |
|---------------------------------|---|
| 最大工作压力(Max.Operating Pressure): | 350bar |
| 流量(Flow): | See PRESSURE DROP VS.FLOW graph. |
| 内泄漏(Internal Leakage): | 2 drops/min(滴/分). max. at 350bar |
| 开启压力(Crack Pressures): | <0.5bar |
| 温度(Temperature): | -40°F to +250°F(-40°C to +120°C) |
| 油液(Fluids): | Mineral-based fluids with viscosities of 7.4 to 420 cSt.(矿物油粘度) |
| 阀块材料(Body Material): | Steel & Ductile iron rated to 350bar 钢和球铁允许使用最大压力350bar |

SYMBOL



压力 – 流量曲线 PRESSURE DROP VS.FLOW

