

# LSV2-10-3C

## 二位三通电磁阀 滑阀型

### 说明 DESCRIPTION

A solenoid operated, 3-way, 2-position, spool-type cartridge valve

二位，三通，滑阀式电磁阀

### 工作 OPERATION

When de-energized, the valve allows flow from ③ to ① or from ① to ③, while blocking flow at ②. When energized, the cartridge's spool shifts to allow flow from ② to ① or from ① to ②, while blocking flow at ③.

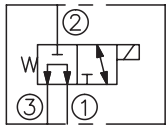
While port ① may be fully pressurized, it is not intended to be used as the inlet. 失电时，③和①通，与②不通；得电时，②和①通，与③不通。建议①口不作进油口。

### 手控应急 Operation of Manual Override Option

To override, push button in, twist counterclockwise 180° and release. In this position, valve will remain detented in the shifted condition. To return to normal operation, push button in, twist clockwise 180° and release. Override will be detented in this position.

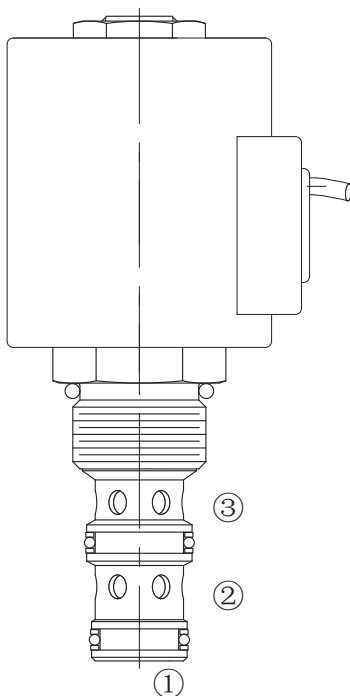
请按下按钮，再逆时针方向旋转 180°，后松开，②和①通，与③不通；请按下按钮，再顺时针方向旋转 180°，后松开，返回常态。

### SYMBOL

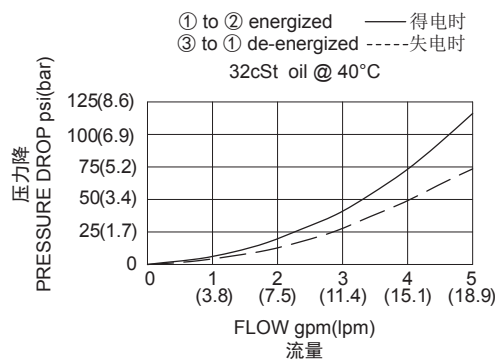


### 技术参数 SPECIFICATIONS

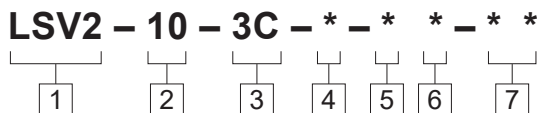
工作压力 (Operating Pressure):	207bar
流量 (Flow):	See PRESSURE DROP VS.FLOW graph.
内泄漏 (Internal Leakage):	(per land)82 cc/min.(毫升/分) max. at 207bar
温度 (Temperature):	-40°F to +212°F(-40°C to +100°C)
线圈额定负载 (Coil Duty Rating):	Continuous from 85% to 115% of nominal voltage(连续工作电压)
过滤 (Filtration):	See Page (参见) N-1
油液 (Fluids):	Mineral-based fluids with viscosities of 7.4 to 420 cSt.(矿物油粘度)
插孔 (Cavity):	10-3, See page M-2
阀块材料 (Body Material):	6061-T6 aluminum alloy rated at 207Bar, Steel & Ductile iron rated at 350Bar 6061-T6铝, 允许使用最大压力207Bar 钢和球铁允许使用最大压力350Bar



### 压力 - 流量曲线 PRESSURE DROP VS.FLOW



订货代号 TO ORDER



<p><b>1</b> 功能 LSV2= 电磁阀 Solenoid Valve</p>	<p><b>5</b> 电压 Voltage 1=12 VDC 2=24 VDC 3=110 VAC 4=220 VAC 5=10 VDC</p>	<p><b>7</b> 阀块油口 Body Porting 空白 Blank= 不带阀块 None 6T=SAE 6 8T=SAE 8 2G=G 1/4 3G=G 3/8</p>
<p><b>2</b> 规格 Size 10=10 规格</p>	<p><b>6</b> 线圈连接 Coil Connection D= Double Lead 双线 H= Hirschmann 三插 C= Conduit 带嵌套 ER= Deutsch Connector(Water-proof Coil) 德意志插座 (防水线圈) B= Double Spade 双插</p>	<p>※ 阀块详见章节 K-5 其它螺纹油口也是可选择的 Other Porting is Available</p>
<p><b>3</b> 流道类型 Flow Path 3C= 三通</p>		
<p><b>4</b> 手控应急 空白 Blank= 无手控应急 None M= 手控应急 Manual Override</p>		

安装尺寸 INSTALLATION DIMENSIONS

Coil Must Be Installed With Letter Up  
安装线圈时，字母必须朝上。

Unit=Millimeters

