

# LSV2-08-2 NOS

二位二通电磁阀 双向止回型

## 说明 DESCRIPTION

A solenoid operated, 2-way, 2-position, normally open, spool-type cartridge valve.

二位，二通，常开型滑阀式电磁阀

## 工作 OPERATION

When de-energized, the valve allows flow in both directions. When energized, the cartridge's spool shifts to block flow in both directions.

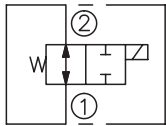
失电时，此阀允许油液双向流动；得电后，阀芯移动，从而双向截止油液流动。

## 手控应急 Operation of Manual Override Option

To override, push button in, twist counterclockwise 180° and release. In this position, valve will remain close in a detented condition. To return to normal operation, push button in, twist clockwise 180° and release. Override will be detented in this position.

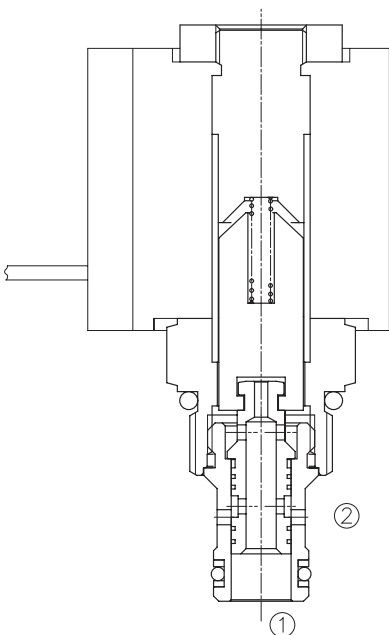
请按下按钮，再逆时针方向旋转 180°，后松开，双向截止油液流动；请按下按钮，再顺时针方向旋转 180°，后松开，返回常态。

## SYMBOL

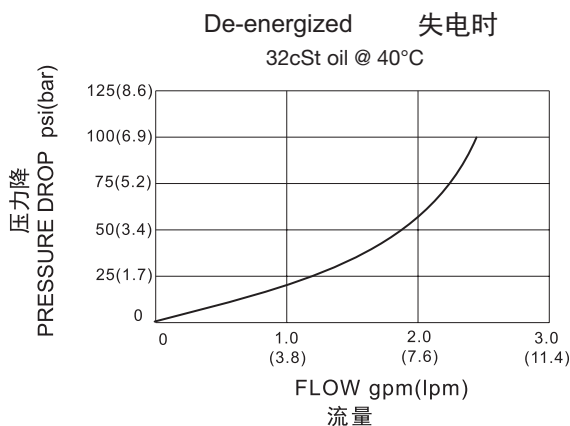


## 技术参数 SPECIFICATIONS

工作压力(Operating Pressure):	207bar
流量(Flow):	See PRESSURE DROP VS.FLOW graph.
内泄漏(Internal Leakage):	82 cc/min. (毫升/分) max at 207bar
温度(Temperature):	-40°F to +212°F(-40°C to +100°C)
线圈额定负载(Coil Duty Rating):	Continuous from 85% to 115% of nominal voltage(连续工作电压)
过滤(Filtration):	See page (参见) N-1
油液(Fluids):	Mineral-based fluids with viscosities of 7.4 to 420 cSt.(矿物油粘度)
插孔(Cavity):	08-2, See page M-1
阀块材料(Body Material):	6061-T6 aluminum alloy rated to 207bar, Steel & Ductile iron rated to 350bar 6061-T6铝,允许使用最大压力207bar 钢和球铁允许使用最大压力350bar



## 压力 - 流量曲线 PRESSURE DROP VS.FLOW



**LSV2 - 08 - 2 NO S - \* - \* \* - \* \***

┌───┐
┌───┐
┌───┐
┌───┐
┌───┐
┌───┐
┌───┐
┌───┐
┌───┐

1
2
3
4
5
6
7
8
9

- 1** 功能  
LSV2= 电磁阀 Solenoid Valve

---

- 2** 规格 Size  
08=08 规格

---

- 3** 流道类型 Flow Path  
2= 二通

---

- 4** 模式  
NO= 常开 Normally Open

---

- 5** 类型  
S= 滑阀型 Spool

---

- 6** 手控应急  
空白 Blank= 无手控应急 None  
M= 手控应急 Manual Override

- 7** 电压 Voltage  
1=12 VDC  
2=24 VDC  
3=110 VAC  
4=220 VAC  
5=10 VDC  
7=48 VDC  
8=24 VAC

---

- 8** 线圈连接 Coil Connection  
D= Double Lead 双线  
S= Single Lead 单线  
H= Hirschmann 三插  
ER= Deutsch Connector(Water-proof Coil)  
德意志插座(防水线圈) IP69K  
E= Single Stud 单接线柱  
B= Double Spade 双插

- 9** 阀块油口 Body Porting  
空白 Blank= 不带阀块 None  
4T=SAE 4  
6T=SAE 6  
2G=G 1/4  
3G=G 3/8

---

- ※ 阀块详见章节 K-1  
其它螺纹油口也是可选择的  
Other Porting Is Available

**安装尺寸 INSTALLATION DIMENSIONS**

Coil Must Be Installed With Letter Up  
安装线圈时，字母必须朝上。

Unit=Millimeters

