

# LS-08

## 针阀 可截止型

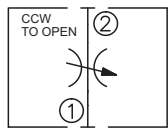
### 说明 DESCRIPTION

A cartridge-style manually-adjustable needle valve  
手动针阀

### 工作 OPERATION

The valve varies flow restriction by adjusting needle in or out and will shut off when fully closed. These valves will meter flow in either direction.  
节流阀流量大小或关闭可通过调节螺杆来实现。

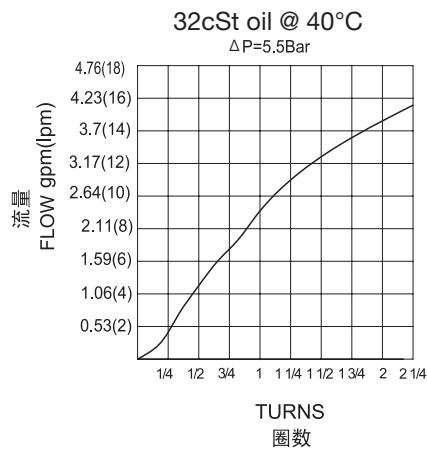
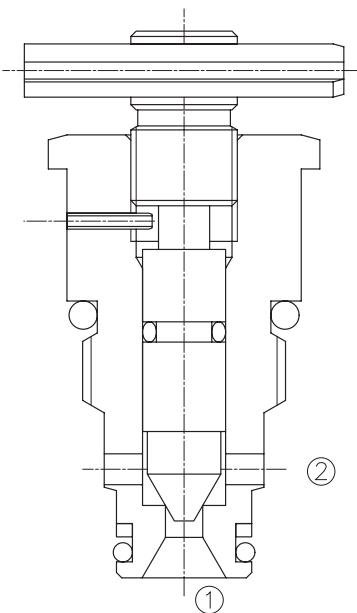
### SYMBOL



### 技术参数 SPECIFICATIONS

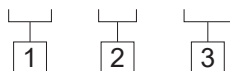
工作压力(Operating Pressure):	250bar
流量(Flow):	See FLOW CHARACTERISTICS chart
内泄漏(Internal Leakage):	zero drops/min. at 207 bar at shut-off
温度(Temperature):	-40°F to +250°F(-40°C to +120°C)
过滤(Filtration):	See page (参见) N-1
油液(Fluids):	Mineral-based fluids with viscosities of 7.4 to 420 cSt.(矿物油粘度)
插孔(Cavity):	08-2, See page M-1
阀块材料(Body Material):	6061-T6 aluminum alloy rated to 207bar, Steel & Ductile iron rated to 350bar 6061-T6铝, 允许使用最大压力207bar 钢和球铁允许使用最大压力350bar

### 压力 – 流量曲线 PRESSURE DROP VS.FLOW



订货代号 TO ORDER

LS - 08 - \* \*



1 功能

LS= 手动节流阀  
Manually-adjustable Needle Valve

2 规格 Size

08=08 规格

3 阀块油口 Body Porting

空白 Blank= 不带阀块 None  
4T=SAE4  
6T=SAE6  
2G=G 1/4  
3G=G 3/8

※ 阀块详见章节 K-1  
其它螺纹油口也是可选择的  
Other Porting is Available

F

安装尺寸 INSTALLATION DIMENSIONS

Unit=Millimeters

